

SS LED



Square

Round



APPLICATION

The LED slim strip light series are more efficient and compact. The LED technology used illuminates a crisper brightness while saving more energy to that of the traditional lights. Its functionality makes it a standard fixture used in storage areas, displays, institutions, industrial and retail applications.

FEATURES:

- Die-formed steel channel with knock-outs for versatile configuration and simple mounting.
- Available with 1 or 2 rows of LED, and in single unit lengths or as tandems.
- One continuous lens for 8-foot fixtures.
- Finish is high-gloss baked white enamel over rust inhibiting phosphate coating for maximum corrosion resistance.

MOUNTING:

- Fixture is wall or surface mounted, or suspended mounted with chains, stems or cables.
- Joiner clip provided for easy continuous run (with "CON" option).
- Metal belly band provided to eliminate light leak from space between lenses in continuous run (with "CON" option).
- Compatible with most ceiling types.

LED:

- High quality array LEDs.
- LM80
- Color Temperature: 2700/3000/3500/4000/5000 (K)
- Color Rendering Index: > 82.8
- Nominal Lamp Life: 100,000 hours.
- Reported L70 hours: +60,000 (55°C).

ELECTRICAL:

- High power factor electronic driver, operate from a 120 ~ 277 Vac input range, 50 / 60 Hz.
- Features included over voltage protection, surge, short circuit protection and over load protection.
- Power Factor: typical > 0.95, THD <20, meets Class1 or Class2 circuit.
- Philips Xitanium: 0-10V Dim to 1%(PH).
- Osram Optotronic: 0-10V Dim to 1%(OS1) or 10%(OS).
- Generic : 0-10V 10% dim. (GR)
- Minimum starting temperature: -4°F (-20°C) ~ 122°F (50°C).
- <ELCU-200>
- Guarantees emergency lighting remains ON or is turned on when power to the control device is lost.
- Interfaces with fire alarm panel or security system.
- "Watchdog" feature allows emergency loads to be controlled in tandem with normal power loads.
- UL listed for use in emergency circuits.

LISTING:

- UL/CUL listed and labeled.
- Listed to UL 1598 and UL 8750.
- DLC listed. ⁶
- Suitable for damp locations.
- CEC Compliant EM (please contact for more information)
- ARRA compliant (optional).
- 5 years warranty.
- 7 or 10 years limited warranty. (optional) ⁵

CONFIGURATIONS

Series	Size	Model #	AC Input	Lens	Lumen Output (3000K)	Lumen Efficiency (3000K)	Lumen Output (3500K)	Lumen Efficiency (3500K)	Lumen Output (4000K)	Lumen Efficiency (4000K)	Lumen Output (5000K)	Lumen Efficiency (5000K)
SS	2FT	L18	19.2W	SC	2470.89 lm	130.58 lm/W	2525.06 lm	131.51 lm/W	2553.43 lm	130.58 lm/W	2579.22 lm	134.33 lm/W
				SF	2330.81 lm	123.18 lm/W	2381.91 lm	124.06 lm/W	2408.67 lm	123.18 lm/W	2433 lm	126.72 lm/W
				RC	2514.48 lm	132.88 lm/W	2569.60 lm	132.83 lm/W	2598.47 lm	132.88 lm/W	2624.72 lm	136.70 lm/W
		L36	37.26W	RF	2336.50 lm	123.48 lm/W	2387.72 lm	124.36 lm/W	2414.55 lm	123.48 lm/W	2438.94 lm	127.03 lm/W
				SC	4859.50 lm	130.42 lm/W	4966.02 lm	133.28 lm/W	5021.81 lm	134.78 lm/W	5241.96 lm	140.69 lm/W
				SF	4584 lm	123.03 lm/W	4684.48 lm	125.72 lm/W	4737.11 lm	127.14 lm/W	4944.78 lm	132.71 lm/W
	4FT	L27	29.9W	RC	4945.22 lm	132.72 lm/W	5053.62 lm	135.63 lm/W	5110.39 lm	137.15 lm/W	5334.43 lm	143.17 lm/W
				RF	4595.18 lm	123.33 lm/W	4695.91 lm	126.03 lm/W	4748.67 lm	127.45 lm/W	4956.85 lm	133.03 lm/W
				SC	3806.76 lm	127.32 lm/W	3902.73 lm	130.53 lm/W	3950.72 lm	132.13 lm/W	3950.72 lm	132.13 lm/W
		L36	39.33W	SF	3590.94 lm	120.10 lm/W	3681.47 lm	123.13 lm/W	3726.74 lm	124.64 lm/W	3726.74 lm	124.64 lm/W
				RC	3873.91 lm	129.56 lm/W	3971.57 lm	132.83 lm/W	4020.41 lm	134.46 lm/W	4020.41 lm	134.46 lm/W
				RF	3599.70 lm	120.39 lm/W	3690.45 lm	123.43 lm/W	3735.83 lm	124.94 lm/W	3735.83 lm	124.94 lm/W
		L54	57.36W	SC	5051.12 lm	128.43 lm/W	5178.46 lm	131.67 lm/W	5242.13 lm	133.29 lm/W	5305.80 lm	134.90 lm/W
				SF	4764.76 lm	121.15 lm/W	4884.88 lm	124.20 lm/W	4944.94 lm	125.73 lm/W	5005 lm	127.26 lm/W
				RC	5140.22 lm	130.69 lm/W	5269.81 lm	133.99 lm/W	5334.60 lm	135.64 lm/W	5399.39 lm	137.28 lm/W
		L72	76.48W	RF	4776.39 lm	121.44 lm/W	4896.80 lm	124.51 lm/W	4957.01 lm	126.04 lm/W	5017.21 lm	127.57 lm/W
				SC	7383.42 lm	128.72 lm/W	7569.56 lm	131.97 lm/W	7662.63 lm	133.59 lm/W	7755.69 lm	135.21 lm/W
				SF	6964.83 lm	121.42 lm/W	7140.42 lm	124.48 lm/W	7228.21 lm	126.01 lm/W	7316 lm	127.55 lm/W
	8FT	L54	57.81W	RC	7513.66 lm	130.99 lm/W	7703.09 lm	134.29 lm/W	7797.79 lm	135.94 lm/W	7892.50 lm	137.60 lm/W
				RF	6981.82 lm	121.72 lm/W	7157.84 lm	124.79 lm/W	7245.85 lm	126.32 lm/W	7333.85 lm	127.86 lm/W
				SC	9844.30 lm	128.71 lm/W	10356.32 lm	131.96 lm/W	10483.60 lm	133.58 lm/W	10607.57 lm	135.16 lm/W
		L72	78.2W	SF	9286.20 lm	121.42 lm/W	9769.19 lm	124.48 lm/W	9889.26 lm	126.01 lm/W	10006.20 lm	127.55 lm/W
				RC	10017.95 lm	130.98 lm/W	10539 lm	134.29 lm/W	10668.53 lm	135.94 lm/W	10794.69 lm	137.55 lm/W
				RF	9308.85 lm	121.71 lm/W	9793.03 lm	124.78 lm/W	9913.39 lm	126.32 lm/W	10030.62 lm	127.81 lm/W
L108		105.4W	SC	7867.33 lm	136.09 lm/W	8048.57 lm	139.22 lm/W	8147.42 lm	140.93 lm/W	8238.04 lm	142.50 lm/W	
			SF	7421.31 lm	128.37 lm/W	7592.27 lm	131.33 lm/W	7685.52 lm	132.94 lm/W	7771 lm	134.42 lm/W	
			RC	8006.11 lm	138.49 lm/W	8190.54 lm	141.68 lm/W	8291.14 lm	143.42 lm/W	8383.35 lm	145.02 lm/W	
L144		140.53W	RF	7439.42 lm	128.69 lm/W	7610.80 lm	131.65 lm/W	7704.27 lm	133.27 lm/W	7789.96 lm	134.75 lm/W	
			SC	10518.79 lm	134.51 lm/W	10761.11 lm	137.61 lm/W	10893.28 lm	139.30 lm/W	11014.44 lm	140.85 lm/W	
			SF	9922.45 lm	126.89 lm/W	10151.03 lm	129.81 lm/W	10275.71 lm	131.40 lm/W	10390 lm	132.86 lm/W	
L108	105.4W	RC	10704.34 lm	136.88 lm/W	10950.93 lm	140.04 lm/W	11085.44 lm	141.76 lm/W	11208.73 lm	143.33 lm/W		
		RF	9946.66 lm	127.20 lm/W	10175.80 lm	130.13 lm/W	10300.78 lm	131.72 lm/W	10415.35 lm	133.19 lm/W		
		SC	14203.91 lm	134.76 lm/W	14531.12 lm	137.87 lm/W	14709.60 lm	139.56 lm/W	14873.20 lm	141.11 lm/W		
L144	140.53W	SF	13398.65 lm	127.12 lm/W	13707.31 lm	130.05 lm/W	13875.67 lm	131.65 lm/W	14030 lm	133.11 lm/W		
		RC	14454.46 lm	137.14 lm/W	14787.45 lm	140.30 lm/W	14969.07 lm	142.02 lm/W	15135.56 lm	143.60 lm/W		
		RF	13431.34 lm	127.43 lm/W	13740.76 lm	130.37 lm/W	13909.53 lm	131.97 lm/W	14064.23 lm	133.44 lm/W		
L144	140.53W	SC	18937.81 lm	134.76 lm/W	19374.30 lm	137.87 lm/W	19612.67 lm	139.56 lm/W	19828.68 lm	141.10 lm/W		
		SF	17864.17 lm	127.12 lm/W	18275.92 lm	130.05 lm/W	18500.77 lm	131.65 lm/W	18704.54 lm	133.11 lm/W		
		RC	19271.87 lm	137.14 lm/W	19716.06 lm	140.30 lm/W	19958.63 lm	142.02 lm/W	20178.46 lm	143.59 lm/W		
L144	140.53W	RF	17907.76 lm	127.43 lm/W	18320.51 lm	130.37 lm/W	18545.91 lm	131.97 lm/W	18750.18 lm	133.42 lm/W		

SS LED

Specifications: SS-2
Weight: 4.7 lbs (2.13 kg)

Specifications: SS-4
Weight: 6.9 lbs (3.13 kg)

Specifications: SS-8
Weight: 10.43 lbs (4.73 kg)

ORDERING INFORMATION

EXAMPLE: SS-4-L36/40-SC-UNV

MODEL	LENGTH		LED	COLOR TEMP.	CRI	DIFFUSER	VOLTAGE
SS	2' Length ⁸	(Blank) Wiring for Individual mount (Std.)	L18 18W LED L36 36W LED	/27 2700K ¹⁰ /30 3000K /35 3500K	(Blank) C9 90+ CRI ¹¹	SC Square - Clear Acrylic Lens SF Square - Frosted Acrylic Lens RC Round - Clear Acrylic Lens RF Round - Frosted Acrylic Lens NLE Non Lens option	UNV 120-277V (Std.) 120V 277V 347V 480V
	4' Length		L27 27W LED L36 36W LED L54 54W LED L72 72W LED	/40 4000K (Std.) /50 5000K /275 Tunable white 2700-5000K ¹⁴			
	8' Length ¹	CON Wiring for Continuous mount (Specify row/length and number of power feed)	L54 54W LED L72 72W LED L108 108W LED L144 144W LED	* Contact factory for custom wattage or lumen requirement. ³			

MOUNTING		CEILING TYPE		LED DRIVER			
(Blank) VH CHxx ACxx SH-3/8-xx SH-1/2-xx	Ceiling Mount V-Hook Chain for use with V-hook (xx=length) Adjustable Aircraft Cable w/ Canopy (* xx = Specify length (48 or 96)) 3/8" IPS STEM w/ Canopy 1/2" IPS STEM w/ Canopy (* xx = 18, 24, 36, 48 inches)	X1 T-bar ceiling X2 Hard ceiling		GR Generic, 0-10V 10% dim (Std.) ⁷ PH Philips Xitanium, 0-10V 1% dim ⁷ OS Osram Optotronic, 0-10V 10% dim ⁷ OS1 Osram Optotronic, 0-10V 1% dim ⁷ SD40 40% / 100% Bi-Level Step dim (PH only) SDXX XX% / 100% Bi-Level Step dim (Specify XX : 10% ~ 70%) (PH only) TDM Triac Dim. (120V only) TD30/70 30% / 70% / 100% Tri-Level Step dim (PH only) TDXX/YY XX% / YY% / 100% Tri-Level Step dim (Specify XX, YY : 10% ~ 70%) (PH only)	ES566 eldoLED SOLOdrive Natural Dimming to dark, 0-10V, 100% ~ 0.1% dim LDE5 5-Series EcoSystem LED driver, 100% ~ 5% dim LDE1 Hi-lume 1% EcoSystem LED driver with Soft-on, Fade-to-Black dimming technology, 100% ~ 1% dim ELV ELV compatible (reverse-phase or trailing-edge) PHSR Philips Xitanium Sensor-Ready, Dali 5%~100% dim PHDL Philips Xitanium DALI driver, Dim to 5% TRIOT Tridonic IoT ready, 1-100% dim via Smart Module Interface (SMI), automated dimming/lighting controls via Enlighted Sensor Interface ED560 eldoLED LightShape DALI dim to dark, 0.1% ~ 100% MU050 0-10V dual channel, 0.1% ~ 100% ND Driver prewired for non-dimming applications		

OPTIONS		LIGHTING CONTROL SYSTEM		
WG Wireguard (White) EMG5 5W EM Battery Backup (CEC Compliant EM) ^{2, 8, 17} EMG8 8W EM Battery Backup (CEC Compliant EM) ^{2, 8, 17} EMG16 16W EM Battery Backup (CEC Compliant EM) ^{2, 17} ELCU-200 Fail-to-on Emergency lighting, UL924 ⁹ DPMS (FD-301) Daylight Dimming Photosensor (0-10 VDC Control) ⁴ AMS (FS-205) Occupancy Sensor w/ Daylight Harvesting (max. 8' detection mounting height with 14' coverage) ⁴ LSR-301-S Setup Remote Control for DPMS LSR-301-P Occupant Remote Control for DPMS ARRA Assembled in USA for Buy American Act MS Motion Sensor LOS-502S Fixture external mount, PIR Occupancy Sensor, no dimming support, 120/277V with standard cone shape lens (15ft) with 1.18" extension joint. Adjustable through a dip switch. O7W Optional 7 Years Limited Warranty ⁵ O10W Optional 10 Years Limited Warranty ⁵ CC Custom Color Housing (Specify RAL#) COC Separated EM feed for City of Chicago code compliance	VDO <Lutron Vive System Enabled> Vive Integral fixture control (RF with daylight and occupancy sensing), (Must be ordered with EcoSystem drivers or PHSR) ¹⁶ VRF Vive Integral fixture control (RF only), (Must be ordered with EcoSystem drivers or PHSR) FCJS0 Vive Attached fixture control (RF only for 0-10V drivers), (N/A with GR driver) FCJSE Vive Attached fixture control (RF only for Lutron EcoSystem drivers) FCJS0EM UL 924 Emergency PowPak wireless fixture control for 0-10V drivers FCJSEEM UL 924 Emergency PowPak wireless fixture control for Ecosystem drivers	SNS200 <EasySense> EasySense Fixture-mount occupancy sensing, daylight harvesting and task tuning in one device (Must be ordered with PHSR driver) ^{12, 15} RS-IR IR dongle v2.0 for EasySense control <Enlighted> SU-5E Enlighted IoT ready 0-10V Indoor Micro sensor with occupancy/vacancy detection, daylight harvesting, thermal sensing, task tuning, and room and zone control, Bluetooth enabled (Must be ordered with TRIOT) ¹³ RS-WS Enlighted Room controller providing basic control functions of a standard wall switch with preset dimming capability		

NOTES:

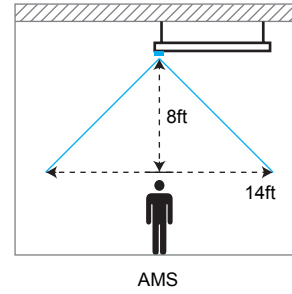
- Tandem units.
- Contact factory for other emergency ballast options.
- Custom wattage products are not DLC qualified.
- Not available with Non Lens option (NLE).
- This limited warranty covers electrical parts only and does not apply to labor, equipment lease, or defect from improper installation or operation. (EM battery backup does not included)
- DesignLights Consortium® (DLC) qualified product. Not all versions of this product may be DLC qualified. Please check the DLC Qualified Products List at www.designlights.org/QPL to confirm which versions are qualified.
- To find an approved dimmer switch, please see table 1.
- For 2' length, only EMG5 and EMG8 are available.

- Shipped separately.
- Available with C9 (90+ CRI) only.
- 5000K is not available.
- See NFC and IR manual in the separate attachment. If your phone is not compatible, please order "RS-IR" and follow the manual.
- "RS-WS" option can be added if wish to have a wall switch, please see Enlighted Room Controller in the separate attachment.
- Must be ordered with either ED560 or MU050 driver.
- Refer to Advanced Grouping Datasheet for its default setting and compatible wireless switches.
- See VDO data sheet to find its default setting.
- Emergency Ballast options are not available with 347V or 480V.

SS LED

OUTPUT CURRENT

		Bi-Level		Tri-Level (Default)	
SW1	SW2	Config Range	Default	Config Range	Default
Close	Open	10% - 70%	40%	10% - 70%	30%
Open	Close	10% - 70%	40%	10% - 70%	70%
Close	Close	100%	100%	100%	100%
Open	Open	0%	0%	0%	0%



LED lighting facts
A Program of the U.S. DOE

Light Output (Lumens) **2333**
Watts **20.25**
Lumens per Watt (Efficacy) **115.21**

Color Accuracy
Color Rendering Index (CRI) **79**

Light Color
Correlated Color Temperature (CCT) **3096 (Bright White)**

Warranty** **Yes**

All results, except LED Lumen Maintenance, are according to IESNA LM-79-2008: Approved Method for the Electrical and Photometric Testing of Solid-State Lighting. The U.S. Department of Energy (DOE) verifies product test data and results.

** See www.lightingfacts.com/products for details.

Registration Number: ZN6D-3FDL4A (7/28/2017)
Model Number: SS-2-L18/30-RF-UNV
Type: Luminaire - Linear

LED lighting facts
A Program of the U.S. DOE

Light Output (Lumens) **2331**
Watts **20.66**
Lumens per Watt (Efficacy) **112.83**

Color Accuracy
Color Rendering Index (CRI) **84**

Light Color
Correlated Color Temperature (CCT) **5144 (Daylight)**

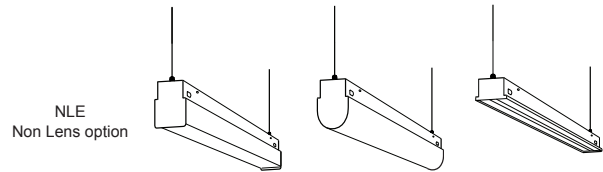
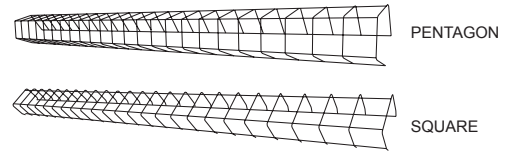
All results are according to IESNA LM-79-2008: Approved Method for the Electrical and Photometric Testing of Solid-State Lighting. The U.S. Department of Energy (DOE) verifies product test data and results.

Visit www.lightingfacts.com for the Label Reference Guide.

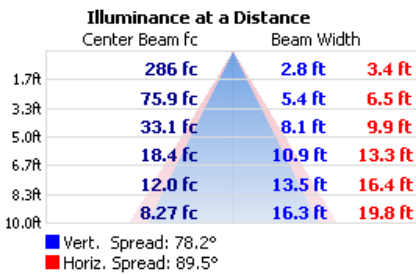
Registration Number: ZN6D-5K6LKG (10/3/2017)
Model Number: SS-2-L16/30-9F-UNV
Type: Luminaire - Linear

WIRE GUARD

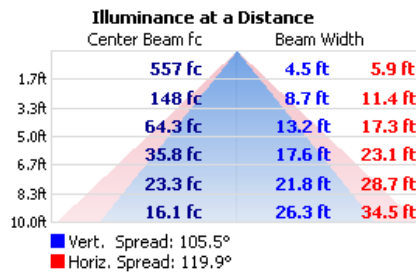
Pentagon : Available with Round/Square Lens options.
Square : Available with Non-Lens option.



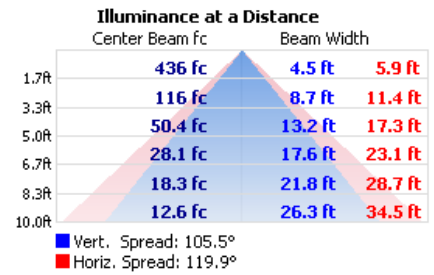
SS-2-L18-30-RC-UNV



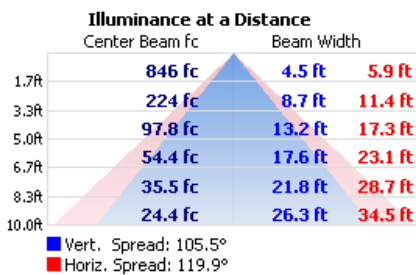
SS-2-L36-30-RC-UNV



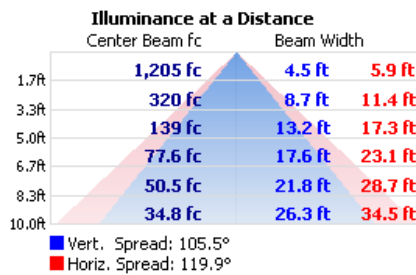
SS-4-L27-30-RC-UNV



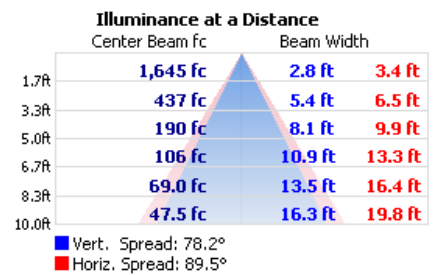
SS-4-L54-30-RC-UNV



SS-8-L72-30-RC-UNV



SS-8-L108-30-RC-UNV



SS LED



Lutron Vive Integral fixture control installation



EasySense fixture-mount installation



LOS-502S

COMPATIBLE DIMMER SWITCH (TABLE 1)

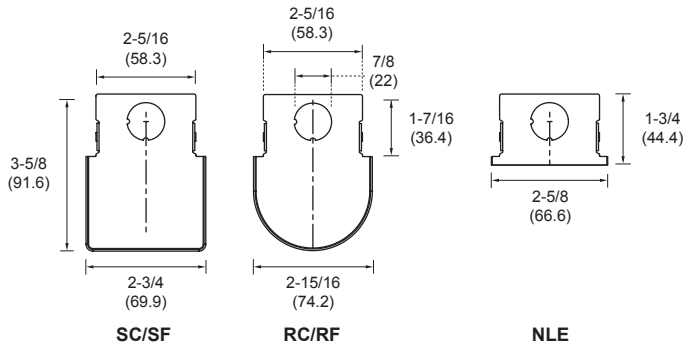
Model #	Brand	Compatible Dimmer Switch	
PH	Philips Xitanium	<Leviton>	IP710-LFZ
		<Lutron>	Nova: NFTV-dimmer plus PP-DV relay pack(s) Nova T: NTSTV-DV-dimmer Diva: DVTV-dimmer, DVSCTV-dimmer, plus PP-DV, relay pack(s), DVSTV-dimmer, DVSCSTV-dimmer GRAFIK Eye QS: QSGRJ-XP, plus GRX-TVI 0-10V interface GRAFIK Eye QS w/EcoSystem: QSGRJ-XE, QSGR-XE, plus GRX-TVI 0-10V interface PowPak: RMJ-5T
OS, OS1	Osram Optotronic	<Osram>	ZBHA-CLM DIM (NAMED: 45678), 45561 - LC-SL3W-TVWBX/UNV
		<Encelium EMS>	EN-LCM-1R10V-GB2-BK, EN-LCM-1R10V-GB2-BK/DR, EN-ALC-1R10V-GB2-BK, EN-ALC-1R10V-GB2-BK-DR
		<Leviton>	IP710-DLX
		<Lutron>	DVTV-XX
		<Wattstopper>	ADF-120277, FD-301, FSP-202
ES566	eldoLED SOLOdrive	<Synergy>	ISD BC
		<Busch-Jaeger>	2112U-101
		<Jung>	240-10
		<Leviton>	IlumaTech - IP710-DLX
		<Lightoller Controls>	ZP600FAM120
		<Merten>	5729
		<Pass & Seymour>	CD4FB-W
		<Wattstopper>	DCLV1
		<Sensor Switch>	nIO EZ
		<Synergy>	ISD BC
		<ABB>	SD/S 2.16.1
		<Lutron>	Nova T: NTFTV Diva - DVTV-xx, NFTV GRAFIK Eye: GRX-TVI w GRX3503 Energy Savr Node: QSN-4T16-S TVM2 Module
		<Crestron>	GLX-DIMFLV8, GLXP-DIMFLV8, GLPAC-DIMFLV4*, GLPAC-DIMFLV8*, GLPP-DIMFLVEX-PM, GLPP-1DIMFLV2EX-PM, GLPP-1DIMFLV3EX-PM, DIN-AO8, DIN-4DIMFLV4, CLS-EXP-DIMFLV, CLCI-1DIMFLV2EX
		LDE5	Lutron Hi-lume 1% EcoSystem
LDE1	Lutron 5-Series EcoSystem		
MU050	Moons Intelligent Indoor	<Lutron>	Diva - DVTV-xx, DVSTV-xx
PHSR ³	Philips Xitanium Sensor-Ready	<Ilumra>	<u>Single Rocker Self-Powered Light Switch (on/off, dim-up/down)</u> Ilumra# ZBT-S1AWH Digi-Key# 1082-1033-ND <u>Dual Rocker Self-Powered Light Switch (on/off, dim-up/down, scene1,2)</u> Ilumra# ZBT-S2AWH Digi-Key# 1082-1034-ND
ELV/TDM	ERP	<Lutron>	S-603PG, DVCL-153P, DV-600P, TGCL-153P, S-600P, DVELV-303P, SELV-300P, TG-600P, LG-600P, CT-103P, MAELV-600, FAELV-500
		<Leviton>	IPI06-1LZ, 6631-2, VPE06,6683-IW, 6161, 6633-P, IPE04
		<Cooper>	DLC03P, SLC03P, DAL06P
		<Lightolier>	ZP260QEW

NOTES:

- All devices connected to one FCJ/FCJS-ECO will be controlled together. Devices will dim to the same level as the result of a control command. For more detail on adjusting low-end light level refer to Application Note#556 at www.lutron.com.
- For the Line/Hot (L/H) terminal on the driver, it is preferred not to use the switched hot (red) wire from the control but rather the hot wire directly from the power source.
- Recommended for EasySense System.

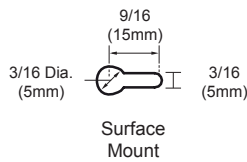
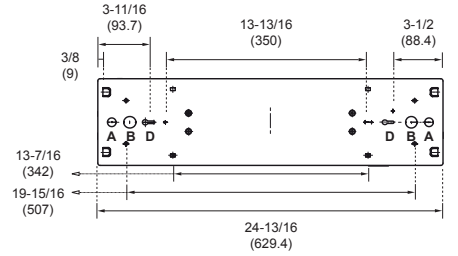
SS LED

END VIEW

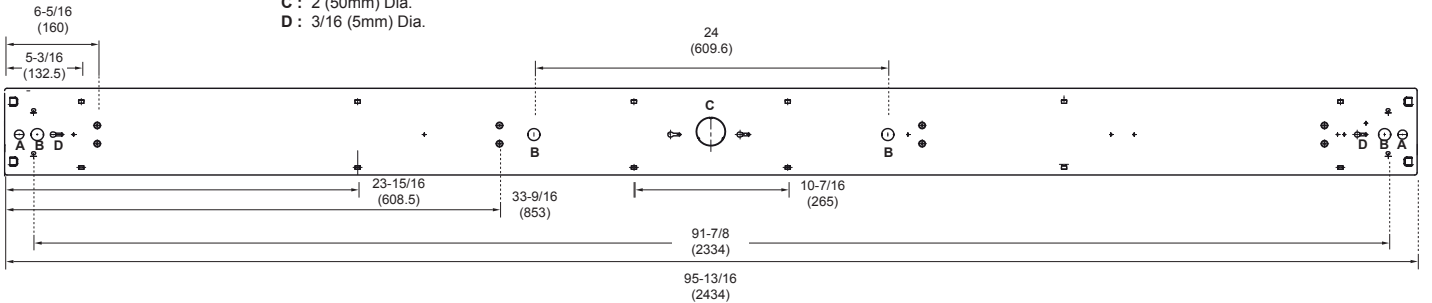
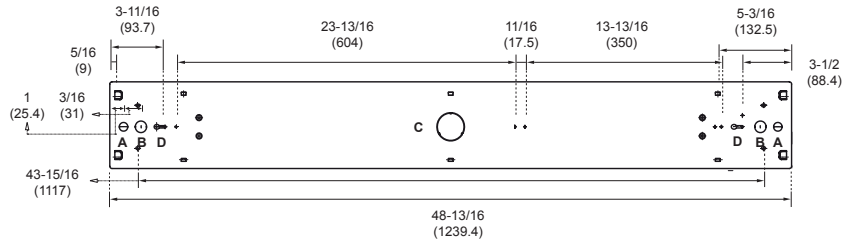


All dimensions are in inches (millimeters).

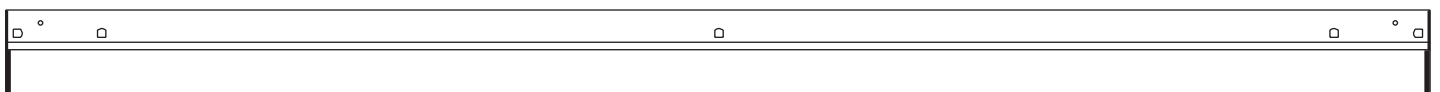
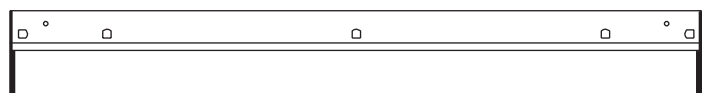
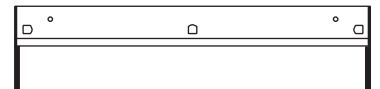
TOP VIEW

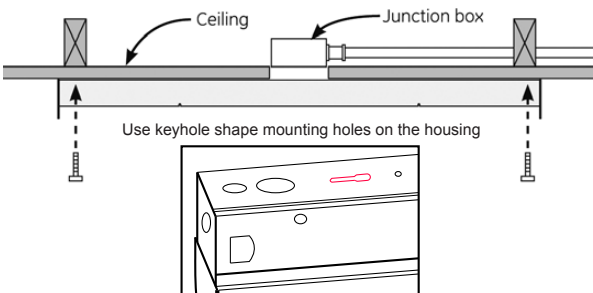
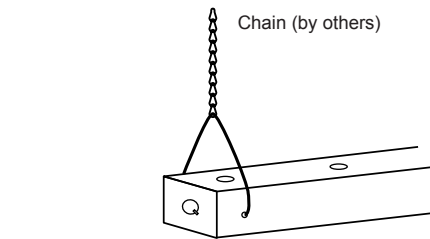
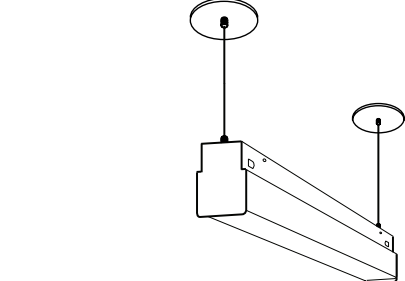
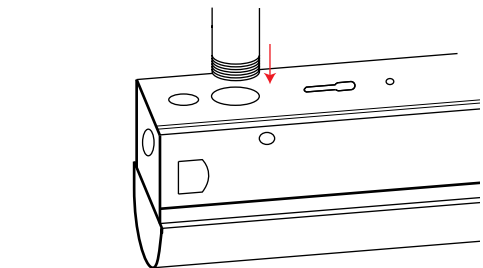


- A : 11/16 (17mm) Dia.
- B : 7/8 (22mm) Dia.
- C : 2 (50mm) Dia.
- D : 3/16 (5mm) Dia.

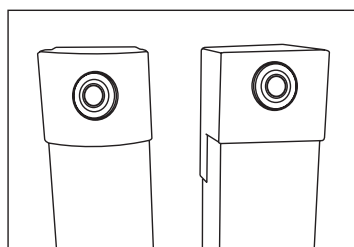


SIDE VIEW

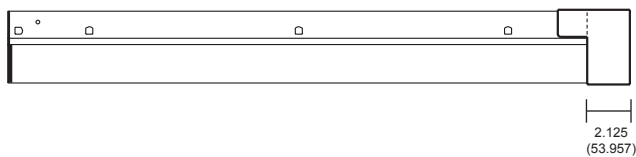


Mounting Options	Image	Ordering Code
Surface Mount (Ceiling / Wall)	 <p>Use keyhole shape mounting holes on the housing</p>	(Blank)
V-hook for Chain Mount	 <p>Chain (by others)</p>	VH
Adjustable Cable Mount		ACxx xx = Length of Cable (48 or 96 inches)
Stem Mount (w/ Canopy)		w/ Canopy HOLE A : 3/8" IPS STEM [Example : SH-3/8-xx(length)] HOLE B : 1/2" IPS STEM [Example : SH-1/2lxx(length)] xx = 18, 24, 36, 48 (inches)

* Cable / Stem mount provided with canopy set



DPMS
Integrated Daylight Dimming Photosensor



MS

Motion Sensor

